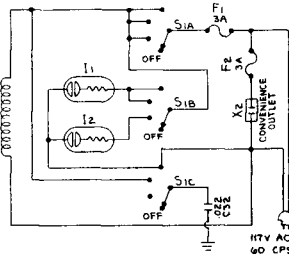
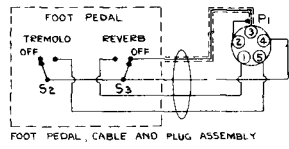
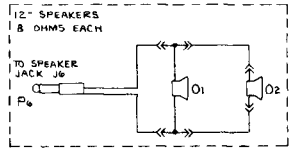
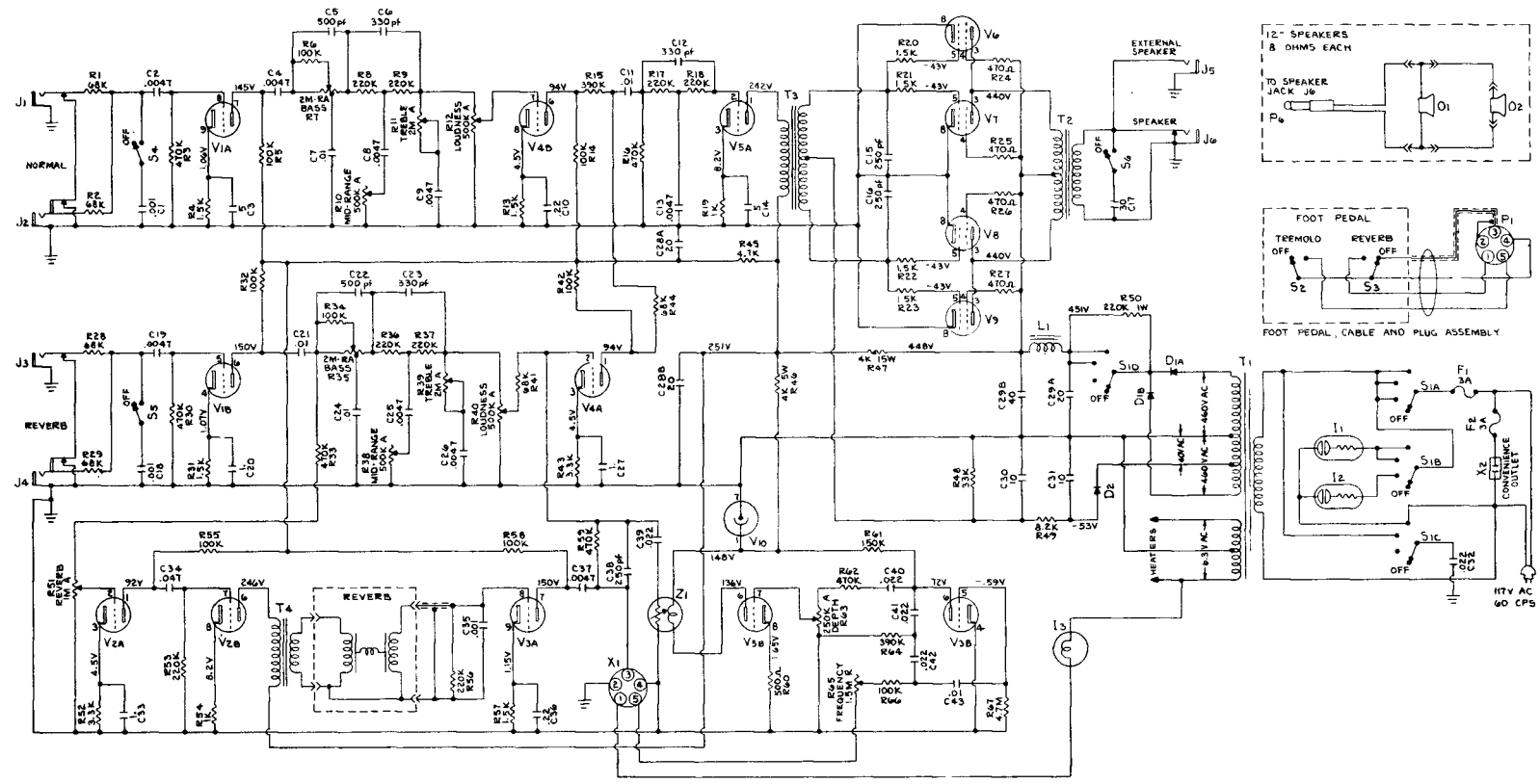
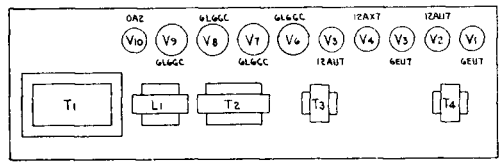




Gibson Electronics MODEL GA-95 RVT AMPLIFIER



Parts list:



T1	Power Transformer	TF-103P	D1A,D1B	Diode - 1200 PIV	DI-57
T2	Output Transformer	TF-503-G	D2	Diode - 200 PIV	DI-405
T3	RV Driver Transformer	TF-100LD	I1	Foot Pedal Socket	CN-78PC0-5
T4	Reverb Transformer	TF-24LD0	I2	Convenience Outlet	CN-303
L1	Filter Choke	TF-1002C	R39	Control - 2 meg audio w/switch	
S1A,B,C,D	Switch	SW-78A-1	R10, R12, R16, R40	Control - 500K audio	CBA-4005-1
S2	Switch SPST	SW-82B03	R43	Control - 250K audio	CBA-4008
S3	Switch SPDT	SW-82L22	R11	Control - 2 meg, audio	CBA-811-3702-1
R1, 95	Switches DPDT Slide	SW-129	R51	Control - 1 meg, audio	CBA-811-3709-1
I1	Pilot Light (Red)	FL-37R	R65	Control - 1.5 meg, RA	CBA-811-3711-1
I2	Pilot Light (Amber)	PL-38A	R7, R35	Control - 2 meg, RA	CBA-813-222-1
I3	Pilot Light (Red) w/clip	PL-38R	O1, C2	Speakers - 12" 8 ohms each	S-20011